

## Product Specifications



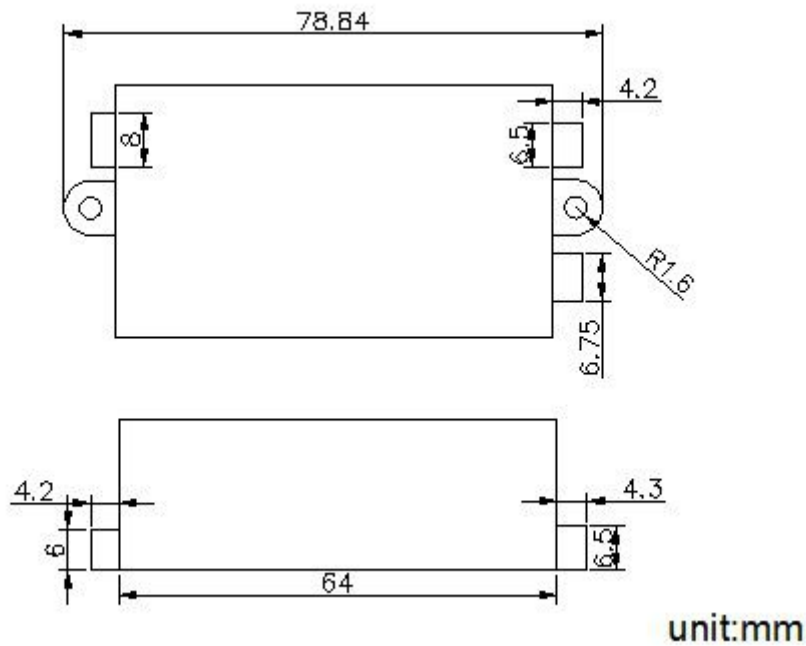
### Summarization

RF dimmer is a controller that can adjust brightness infinitely, its control mode is wireless control, you could adjust light to the appropriate lighting brightness in accordance with your actual need. Also with matching code function, users can replace the remote control by themselves (to prevent users can not operate because of damage or loss of the remote control).

### Technical parameters

- Working temperature: -20-60 °C
- Supply voltage: DC5V, 12-24V < optional > ( supply voltage should be marked on order )
- Output: 1 channel
- Net weight: 78g
- Gross weight: 103g
- External dimension: L110 X W56 X H34 mm
- Packing size: L122 X W85 X H42 mm
- Output current: <8A
- Output power: 5V<40W, 12V<96W, 24V<192W

### External Dimension



### Interface Specifications

Input interface:



Output interface:



### Operating Instructions of Matching code

Unscrew the screws at the back of the controller, open the shell, pull out the PCB, connect with load light, and then power wire, after ensure short circuit can not occur between connecting wire, turn on the power, find the touch button on the PCB (figure 1), press the button (figure 2), some versions have not button, just two solder joints (figure 3), you can make the two solder joints short circuit with electrical conductive tweezers or cutting pliers (figure 4).

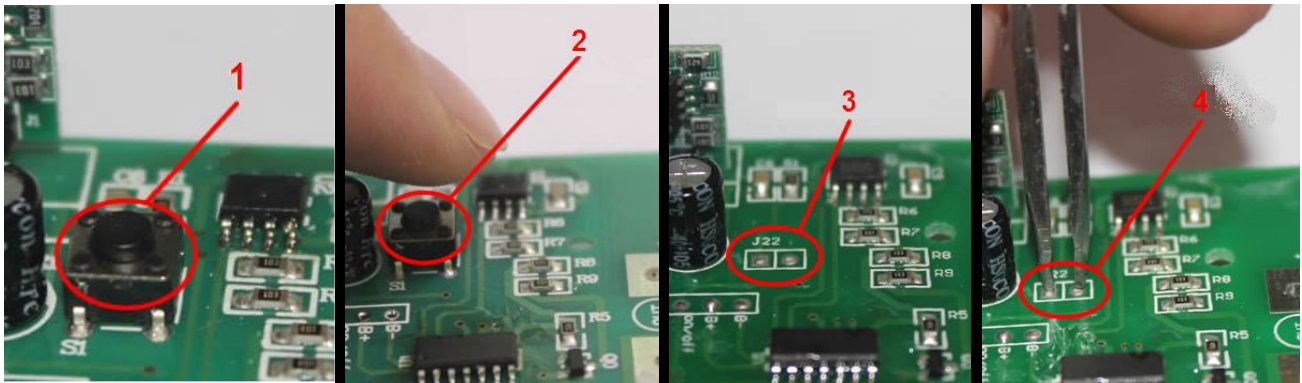


Figure 1

Figure 2

Figure 3

Figure 4

At the same time, press any button on the remote control that you want to match code, when the remote can control the controller, immediately release the touch button; if it is solder joints, immediately release tweezers or cuttings pliers, thus make the solder joints open circuit, then if the remote can control the controller, it illustrates that it matches code successfully, otherwise you need to repeat the matching code operation, until match code successfully. After matching code successfully, you can assemble the controller, and then use it.

### Direction for use

1. Connect the load wire at first, following by the power wire; **Please ensure short circuit can not occur between connecting wire before you turn on the power;**
2. Adopt wireless control, function is as shown below:
3. ▲ : key is for increasing brightness,  
 ▼ : key is for reducing brightness.  
 ⏻ : ON/OFF

### Typical Applications

