

## Product Specifications



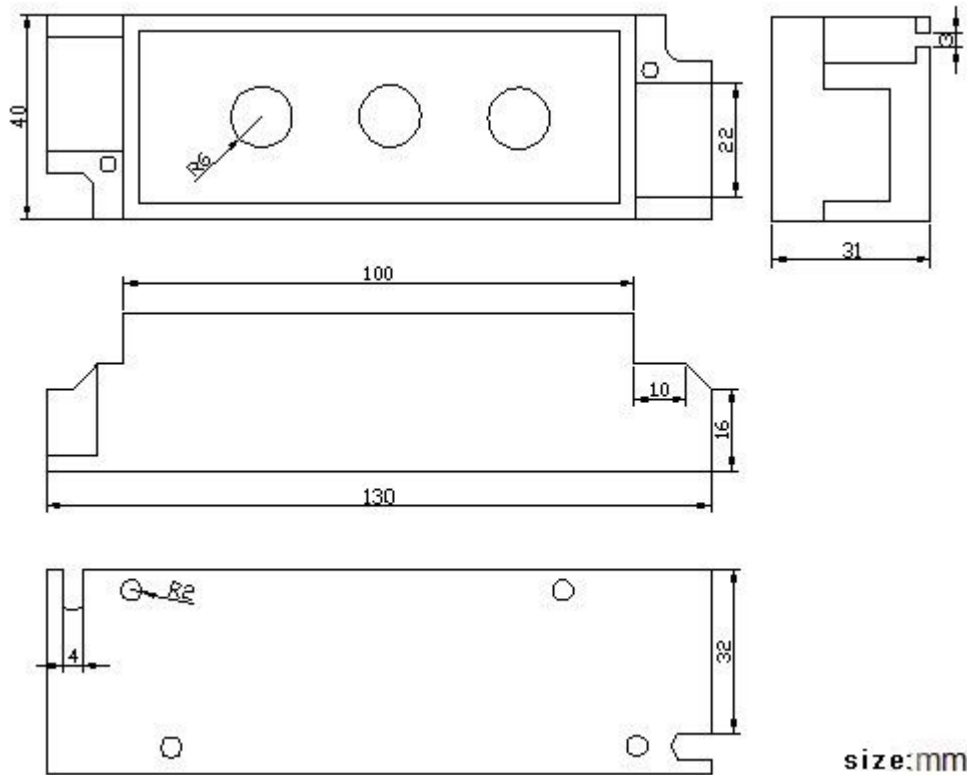
### Summarization

Dimmer is a controller that it can adjust brightness infinitely, there are three output channels in all. Its control mode is knob-operated control, you could adjust light to the appropriate brightness in accordance with your actual need.

### Technical parameters

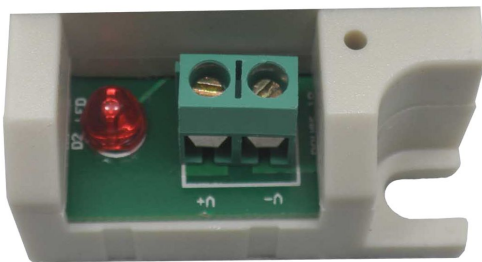
- Working temperature: -20-60 °C
- Power supply voltage: DC5V,12-24V optional(specify the required voltage on order form)
- Output: 3 channels
- External dimensions: L130XW40XH52mm
- Package size: L140XW50XH60 mm
- Net Weight: 95g
- Gross weight: 120g
- Static power consumption: <1W
- Output current: <3A
- Output power: 5V<45W,12V<108W,24V<216W

**External Dimensions**



**Interface specifications**

Power input interface:



Adopt male and female connector with screw.

Load output interface:



Adopt male and female connector with screw.

### Direction for Use

1. Connect the load wire at first, following by the power wire; **Please ensure short circuit can not occur between connecting wire before you turn on the power.**
2. Adopt rotary button, there are three load output channels, its function as follows:  
Rotate button to the right, brightness will be brighter, when you rotate it to the far right, the brightness is greatest.  
Rotate button to the left, brightness will be darker, when you rotate it to the far left, the light will be turned off.

### Typical Applications

