

Dimmable LED Constant Voltage Power Supply - 60W series



■ Features:

- Output constant voltage
- Universal AC input: 100-130VAC
- High efficiency: up to 87%
- Protection:short circuit/over loading/over current/ Over temperature
- Full protection aluminum housing
- Easy installation
- Cooling by free air convection
- Compatible with Forward & Reverse phase, Triac, ELV Dimmers
- Strong compatibility, flicker-free dimming
- Suitable for LED lighting and moving sign applications and others
- Compliance to worldwide safety regulations for lighting
- Provide with a junction box for connection
- They are suitable for wet location use



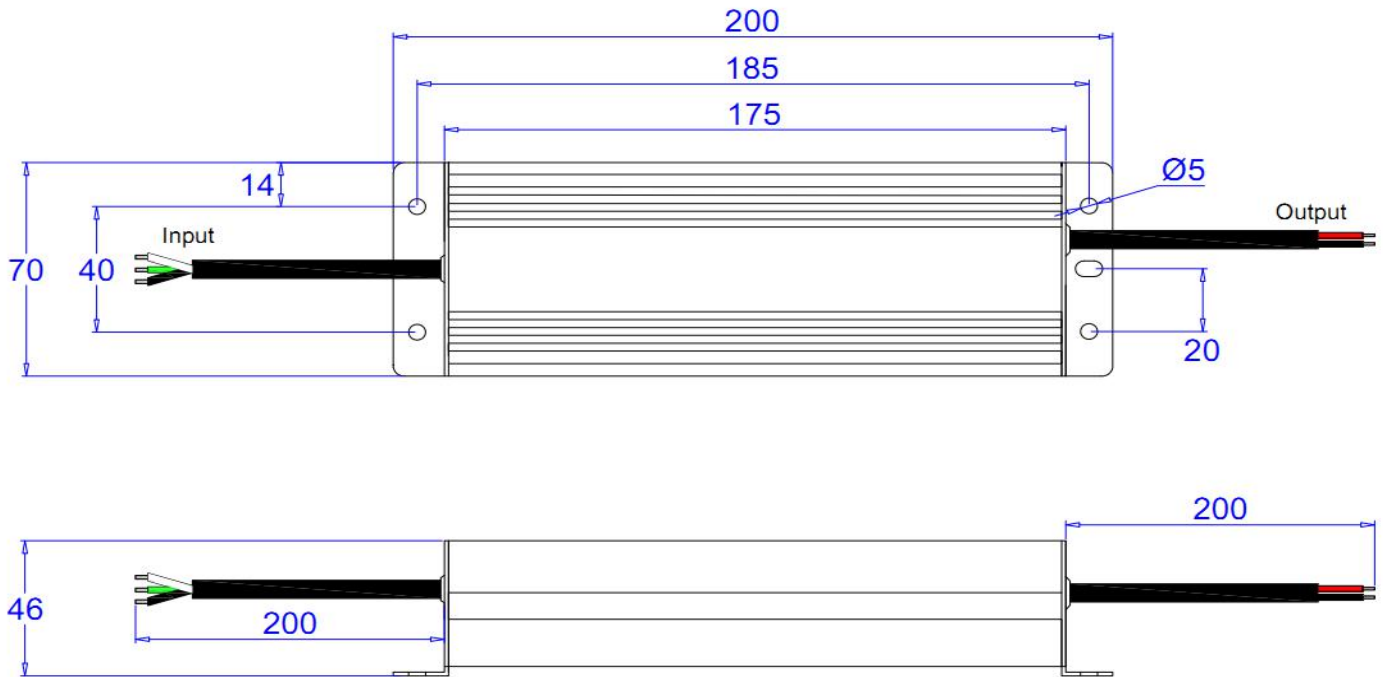
■ Specification

Part Number	PS-12LPS60-DIM	PS-24LPS60-DIM	PS-36LPS60-DIM	PS-48LPS60-DIM	
Certificates	ETL、cETL、FCC	ETL、cETL、FCC	ETL、cETL、FCC	ETL、FCC	
Output	DC Voltage	12V	24V	36V	48V
	Voltage Tolerance	±0.5V			
	Rated current	5A	2.5A	1.65A	1.25A
	Rated power	60W			
Input	Voltage Range	100~130VAC			
	Frequency Range	47~63HZ			
	Power Factor	PF:0.95			
	Efficiency (Typ.)	85%	86%	87%	87%
	AC Current (max)	0.77A	0.76A	0.74A	0.72A
	Leakage current	< 0.70mA/120VAC			
Protection	Short Circuit	Hiccup mode, recovers automatically after fault condition is removed			
	Over Current	≤1.2*I out			
	Over Loading	≤120%			
	Over temperature	100℃±10℃ (The output voltage will turn off when the temperature is higher than 100℃±10℃, after the temperature drop off ,it will recovery automatic			
Environment	Working TEMP.	-40~+60℃			
	Working Humidity	20~95%RH, non-condensing			
	Storage TEMP. Humidity	-40~+80℃, 10~95%RH			
	TEMP .coefficient	±0.03%/℃ (0~50℃)			
	Vibration	10~500Hz, 5G 12min./1 cycle,period for 72min. each along X,Y,Z axes			
Safety& EMC	Safety standards	UL8750+UL1310 Class 2 unit			
	Withstand voltage	I/P-O/P:1500VAC			
	Isolation resistance	I/P-O/P: 100MΩ/500VDC/25℃/70%RH			
	EMC EMISSION	FCC Part 15 B			
Others	Net. Weight	0.95 Kg	1.55Kg (with junction box)		
	Size	200*70*46mm (L*W*H)	350*77*57mm(L*W*H) (with junction box)		
	packing	329*279*176mm 10PCS	350*85*65mm 10PCS		

Dimmable LED Constant Voltage Power Supply - 60W series

<p>Notes</p>	<ol style="list-style-type: none"> 1. All parameters if NOT specially mentioned are measured at 120VAC input , rated load and 25°C of ambient temperature. 2. To extend the driver's using life ,please reduce the loading at lower input voltage. 3. Loading should be 60-100%.
---------------------	---

■ 60W Phase/Triac Dimmable driver Mechanical Specification

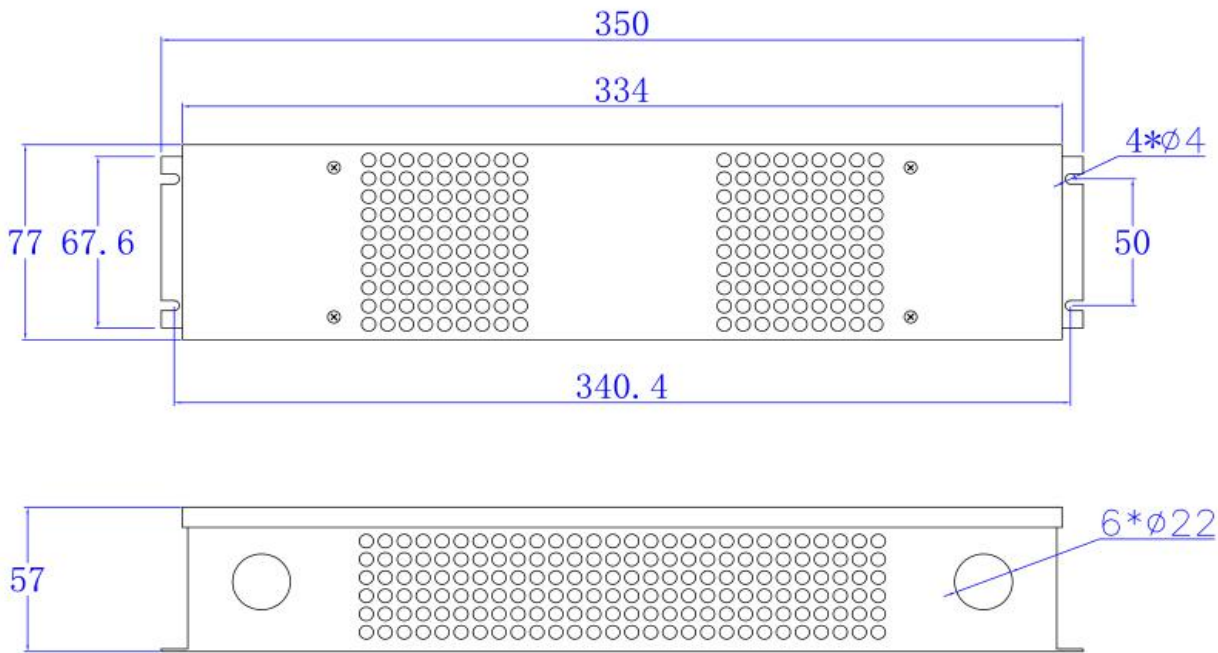


※ Input black(L) and white(N) wires to be connected AC, Green wire to be connected ground; output red and black wires to be connected led lighting.

■ Real picture & Mechanical Specification of 60W Phase/Triac Dimmable Driver with junction box



Dimmable LED Constant Voltage Power Supply - 60W series



■ Dimming Operation

※ Output constant current level can be adjusted through input terminal of the AC phase line(L) by connection a phase/triac dimmer.

※ Forward phase and Reverse phase, ELV, Triac Dimmers

■ Warning

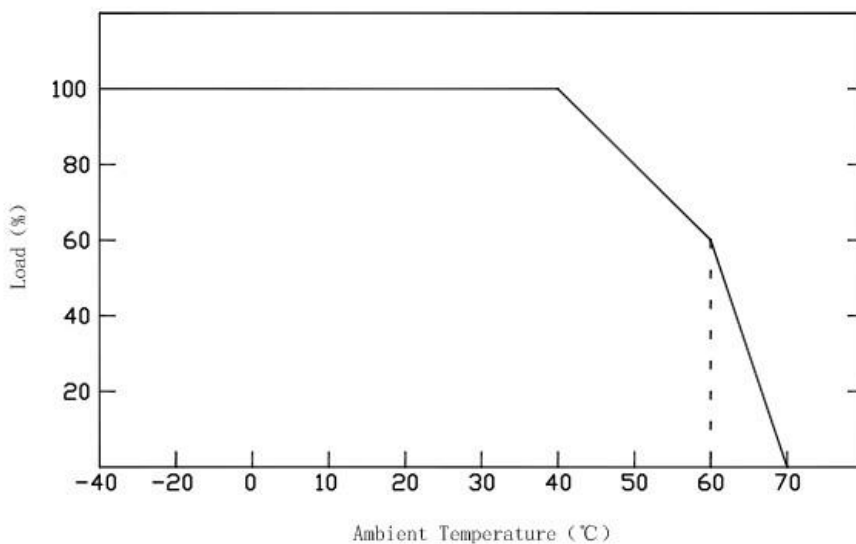
※ Prevent to reverse polarity; Output polarity: RED "+"; BLACK "-"

※ Risk of Electric Shock. When used outdoors, install only on a circuit protected by a Class A GFCI;

※ Risk of Fire. Installation involves special wiring methods to run wiring through a building structure. Consult a qualified electrician;

※ Risk of Electric Shock. Mount the unit at a height greater than 1 foot from the ground surface.

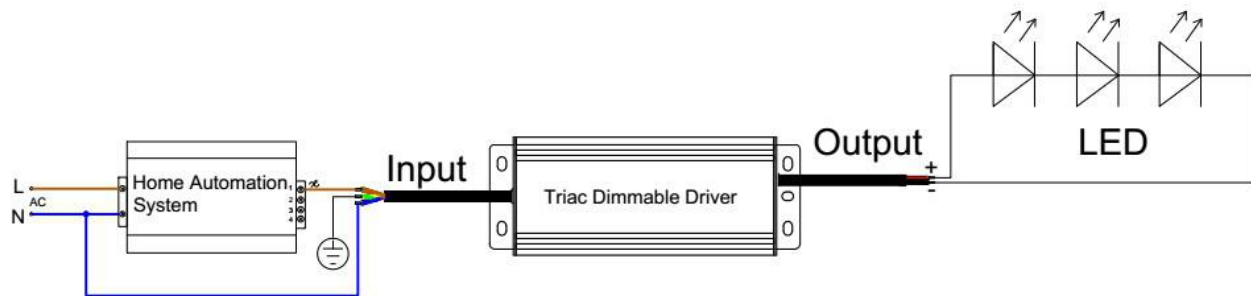
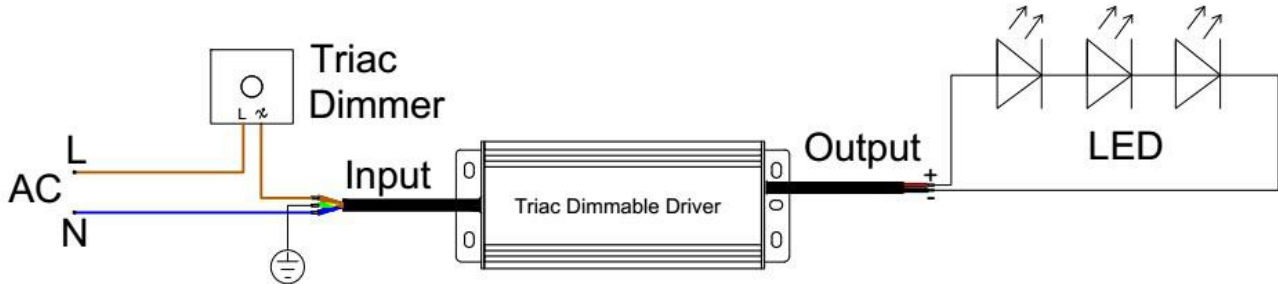
■ Derating Curve



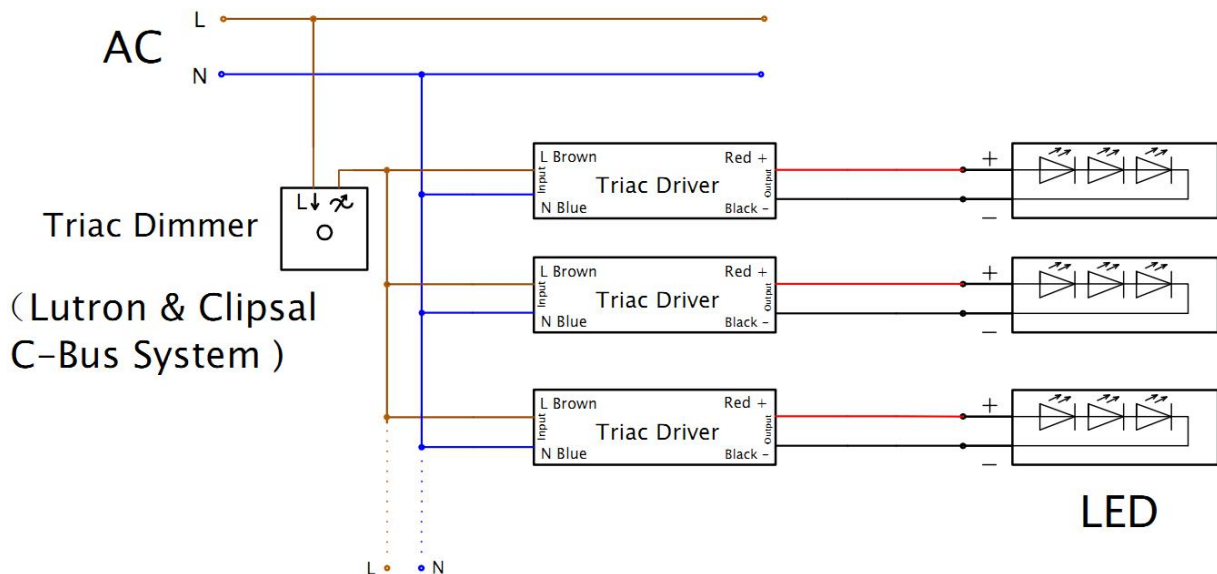
Dimmable LED Constant Voltage Power Supply - 60W series

※To extend their life, please refer to the Derating Curve and derate according to the temperature.

■ Single Driver Connecting Diagram



■ Multiple Drivers Connecting Diagram



Dimmable LED Constant Voltage Power Supply - 60W series

