

Product Specifications



Summarization

Five key touch controller is wireless small volume controller which newly introduced by our company, touch remote control adopts high precision capacitance touch control technology, you can select the color you need by one button. It is convenient and easy. It is used for controlling a variety of lamp whose source of light is LED. For instance, point source of light, flexible light strip, wall washer lamp, glass wall light etc. It has many advantages such as convenient to connect, easy to use and others. According to the actual need of customers, it can carry out jumpy changing, gradual changing, stroboflash and other effects of change.

Technical Parameters

Controller

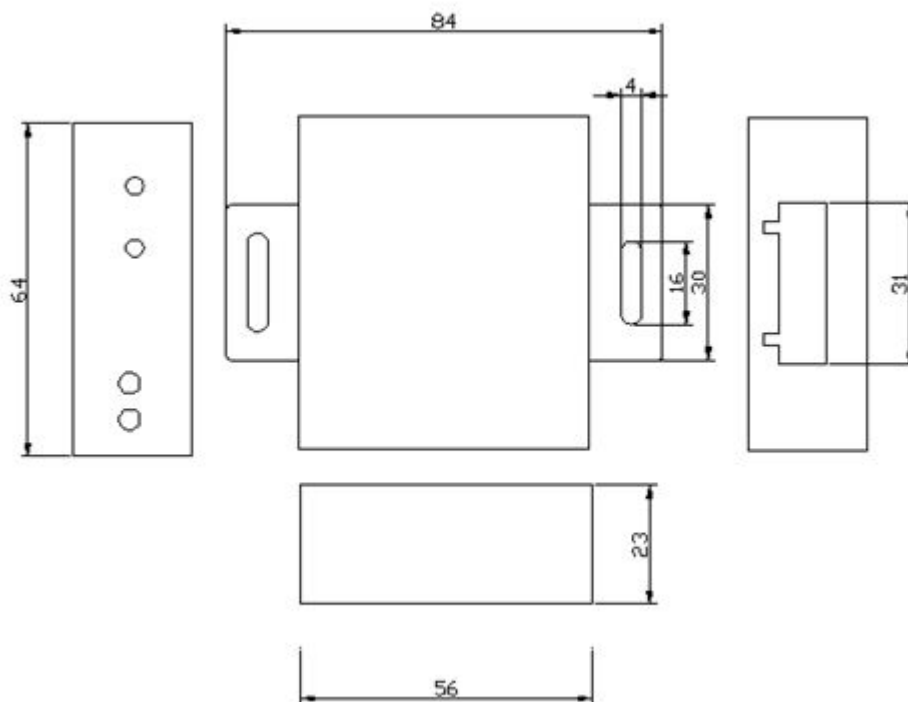
- Working temperature: -20-60°C
- Supply voltage: DC12V-24V
- Output: 3 channels
- Connection mode: Common anode
- External dimension: L84 x W64 x H23mm
- Packing size: L200 x W146 x H36mm
- Net weight: 78g
- Gross weight: 200g
- Static power consumption: <1W

- Output current: <6A (each channel)
- Output power: 12V:<216W, 24V:<432W

Touch Remote Control

- Working temperature: -20-60°C
- Power supply mode: AAA * 3
- Supply voltage: 1.5V * 3
- Transmission frequency: 433.92 Mhz
- Standby power consumption: 0.015mW
- Standby current: 3uA
- Working current: 200uA
- Emission current: 10mA
- Remote distance: about 30m
- Standby time: 6 months
- Remote control weight: 85g

External Dimension (mm)



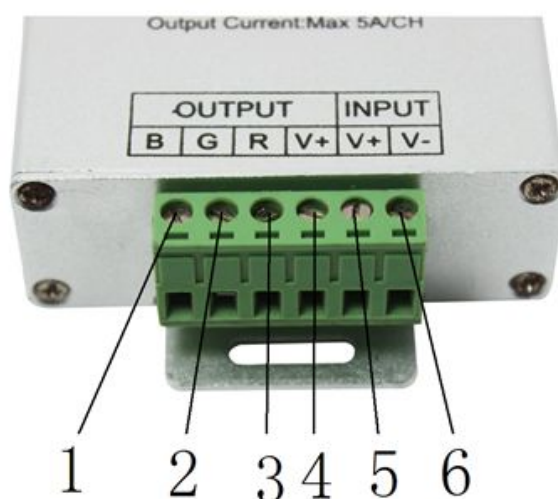
Control Descriptions

Button indicator descriptions



1. Power: power indicator, it lights when connected with external power supply;
2. Signal: RF signal indicator, it flashes when receiving correct remote control signal;
3. Match: match code and clear code key, clear code: hold the key power on, clear code all the same type of remote control can be remote control. Match code: Press the key during work process, it executes match code operation , after matching code, only the remote control with the same address code can be used for controlling;
4. Function: on/off and mode key, long press the button, you can turn on/off the output of controller, short press the button, you can switch the mode;

Terminals description

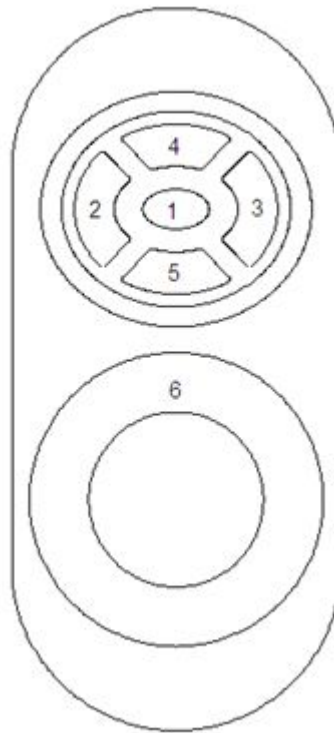


No.	Name	Type	Description
1	B	Output	Blue
2	G	Output	Green
3	R	Output	Red

4	V+	Output	Common terminal
5	V+	Input	The positive power supply
6	V-	Input	The negative power supply

Direction for use

1. Direction for use of remote control:



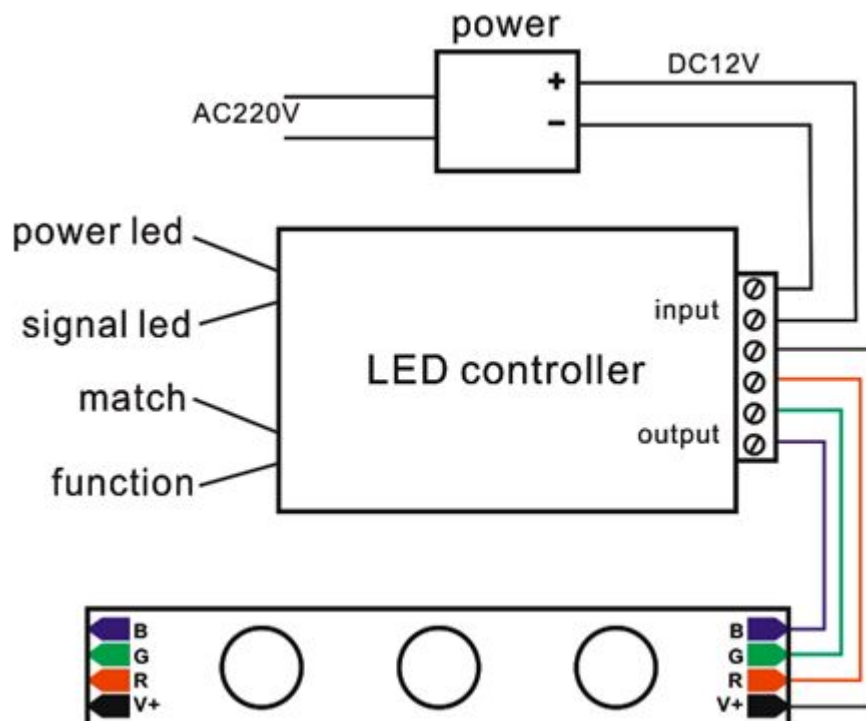
- (1) on/off key: you can turn on/off controller output at any state;
- (2) mode key: under switch is turned on, it is used for switching mode of controller;
- (3) white light switch key, it is used for switching white light and full-color;
- (4) brightness/ speed increase key, you can adjust brightness in static mode (25 levels), you can adjust speed in dynamic mode (100 levels);
- (5) brightness/ speed reduce key, you can adjust brightness in static mode (25 levels), you can adjust speed in dynamic mode (100 levels);
- (6) color ring, static mode selection key, up to 55 touch points. It is used for selecting the color indicated by current color ring.

Power supply management: stop to use the remote more than 15-20s, the remote control will enter the standby state, to extend the battery life. Color ring can not be used at this time, slightly shake once, then the remote will come back to the normal working state.

2. The standard change functions are as shown in the following table:

No	Patterns	Remarks	No	Patterns	Remarks
1	Static red	Brightness is adjustable, Speed is unadjustable.	12	Red stroboflash	Speed and Brightness are adjustable
2	Static green		13	Blue stroboflash	
3	Static blue		14	Purple stroboflash	
4	Static cyan		15	Green stroboflash	
5	Static purple		16	Yellow stroboflash	
6	Static yellow		17	Cycan stroboflash	
7	Static white		18	White stroboflash	
8	Three-color jumpy changing	Speed and brightness are adjustable	19	R/B crossfade	Speed is adjustable, brightness is unadjustable
9	Seven-color jumpy changing		20	B/G crossfade	
10	Three-color gradual changing	Speed is adjustable, brightness is unadjustable	21	G/R crossfade	
11	Seven-color gradual changing				

Typical Application



Remarks:

1. Connect the load wire at first, following by the power wire; **Please ensure short circuit can not occur between connecting wire before you turn on the power;**
2. Power supply voltage range is DC12~24V, more than voltage range maybe burn out the controller.
3. When not use touch remote control for long time, we suggest you to take down the batteries.