

Dimmable LED Constant Voltage Power Supply - 120W Series PWM output
Features


- Output constant voltage
- Universal AC input: 100-130VAC
- Power Factor: up to 0.65
- High efficiency: up to 85%
- Protection:short circuit/over loading/over current/over temperature
- Full protection aluminum housing
- Easy installation
- Cooling by free air convection
- Compatible with Forward & Reverse phase, Triac, ELV Dimmers
- Strong compatibility, flicker-free dimming
- Suitable for LED lighting and moving sign applications and others
- Compliance to worldwide safety regulations for lighting

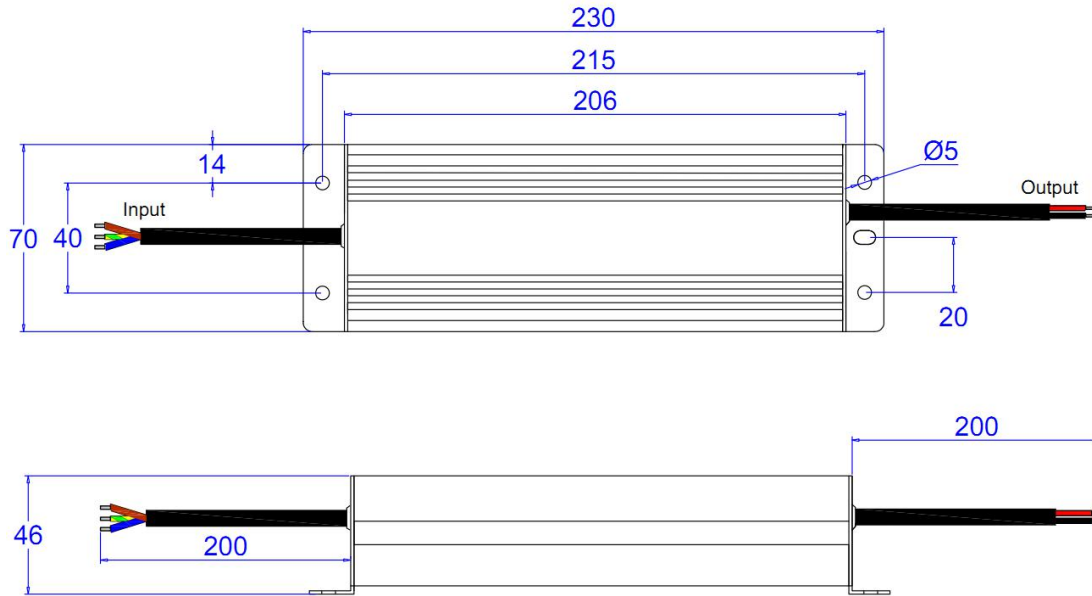

Specification

Part Number		PS-12LPS120-DIM	PS-24LPS120-DIM	PS-36LPS120-DIM	PS-48LPS120-DIM
Certificates		ETL、CETL、FCC	ETL、CETL、FCC	ETL、CETL、FCC	ETL、FCC
Output	DC Voltage	12V	24V	36V	48V
	Voltage Tolerance	±0.5V			
	Rated current	10A	5A	3.3A	2.5A
	Rated power	120W			
Input	Voltage Range	100~130VAC			
	Frequency Range	50~60HZ			
	Power Factor (Typ.)	PF≥0.65			
	Efficiency (Typ.)	83%	84%	85%	85%
	AC Current (Typ.)	2A	2A	2A	2A
	Leakage current	< 0.70mA/110VAC			
Protection	Short Circuit	Hiccup mode, recovers automatically after fault condition is removed			
	Over Current	≤1.4*I out			
	Over Loading	≤120%			
	Over temperature	100°C±10°C (The output voltage will turn off when the temperature is higher than 100°C±10°C, after the temperature drop off ,it will recovery) automatic			
Environment	Working TEMP.	-40~+60°C			
	Working Humidity	20~90%RH, non-condensing			
	Storage TEMP. Humidity	-40~+80°C, 10~95%RH			
	TEMP .coefficient	±0.03%/°C (0~50°C)			
	Vibration	10~500Hz, 2G 10min./1 cycle,period for 60min. each along X,Y,Z axes			
Safety& EMC	Safety standards	UL1012			
	Withstand voltage	I/P-O/P:1500KVAC			
	Isolation resistance	I/P-O/P: 100MΩ/500VDC/25°C/70%RH			
	EMC EMISSION	FCC Part 15 B			
Others	Net. Weight	1.1Kg			
	Size	230*70*46mm (L*W*H)		380*77*57mm (L*W*H)	
	packing	324*279*176mm 10PCS/CTN			

Dimmable LED Constant Voltage Power Supply - 120W Series PWM output

Notes	<ol style="list-style-type: none"> 1. All parameters if NOT specially mentioned are measured at 110VAC input , rated load and 25°C of ambient temperature. 2. To extend the driver's using life ,please reduce the loading at lower input voltage. 3. Loading should be 5-100%.
-------	--

■120W Phase/Triac Dimmable driver Mechanical Specification

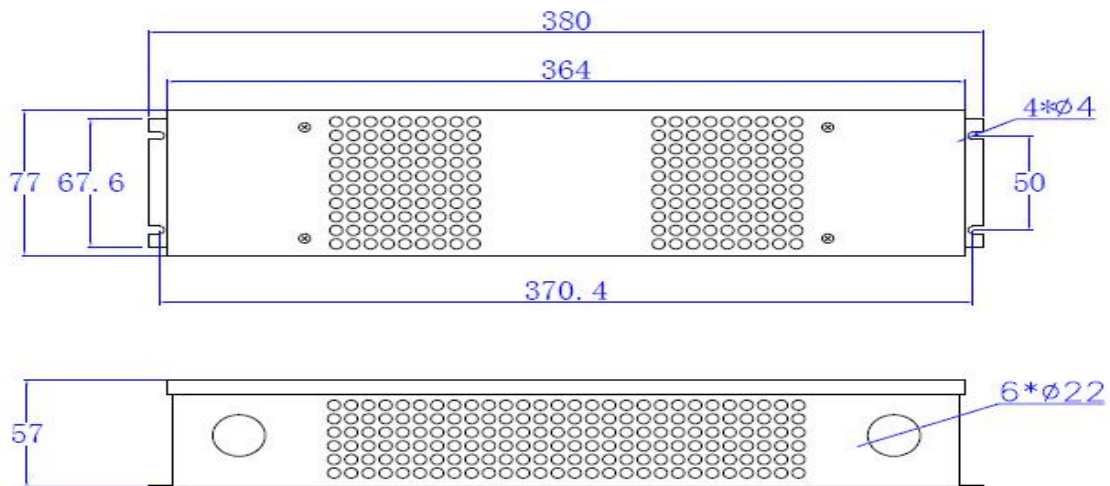


※ Input black(L) and white(N) wires to be connected to AC input, Green wire to be connected ground; output red and black wires to be connected to led lighting.

■ Real picture & Mechanical Specification of 120W Phase/Triac Dimmable Driver with junction box



Dimmable LED Constant Voltage Power Supply - 120W Series PWM output



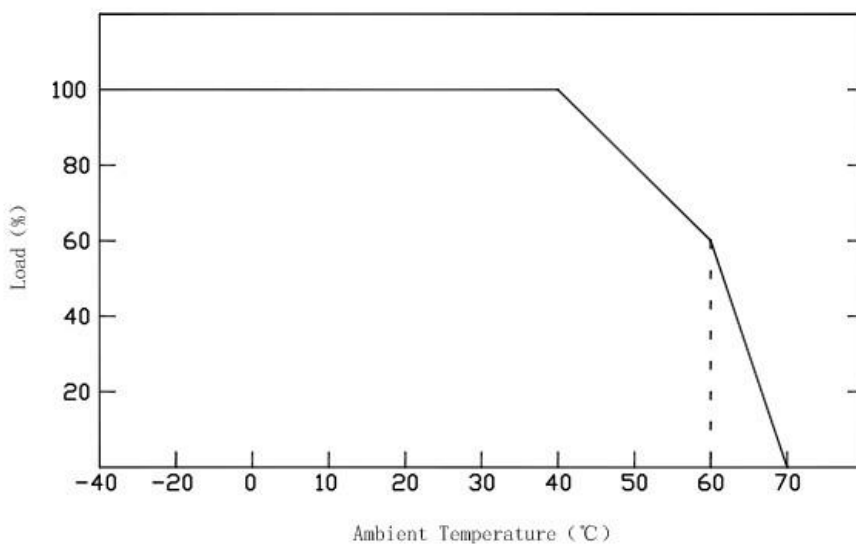
■Dimming Operation

- ※Output constant current level can be adjusted through input terminal of the AC phase line(L) by connection a phase/triac dimmer.
- ※Forward phase and Reverse phase, ELV, Triac Dimmers

■Warning

- ※Prevent to reverse polarity; Output polarity: RED "+"; BLACK "-"
- ※Risk of Electric Shock. When used outdoors, install only on a circuit protected by a Class A GFCI;
- ※Risk of Fire. Installation involves special wiring methods to run wiring through a building structure. Consult a qualified electrician;
- ※Risk of Electric Shock. Mount the unit at a height greater than 1 foot from the ground surface.

■Derating Curve



※To extend their life, please refer to the Derating Curve and derate according to the temperature.

Dimmable LED Constant Voltage Power Supply - 120W Series PWM output

■ Connecting Diagram

